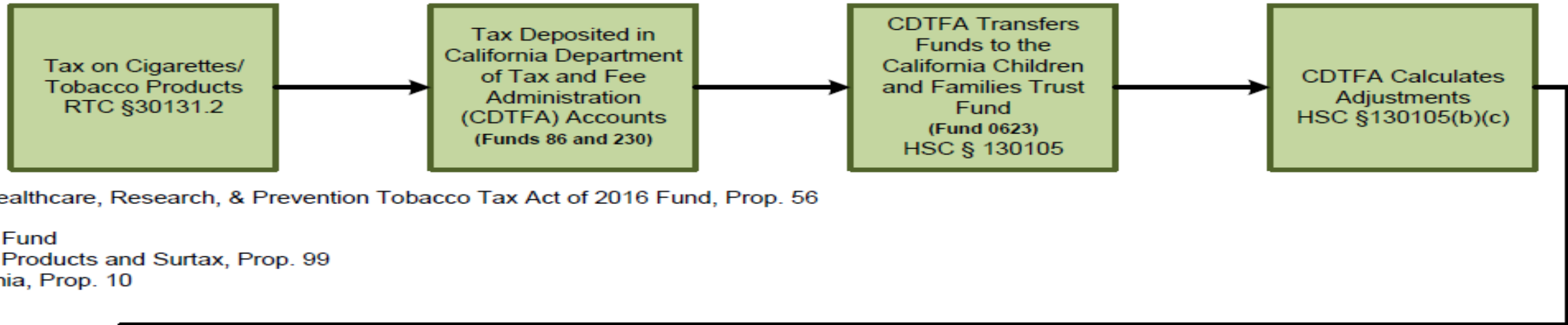
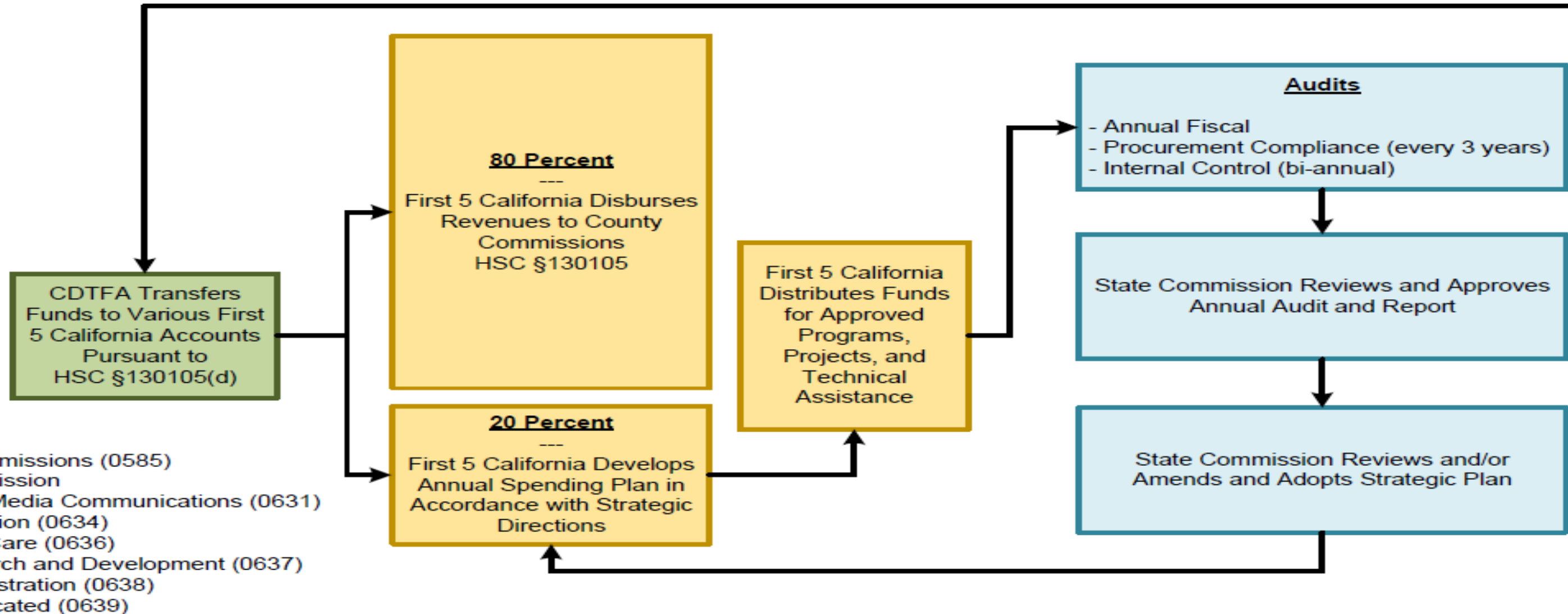




Funding Overview



Total Tax = \$2.87
 \$2.00 = California Healthcare, Research, & Prevention Tobacco Tax Act of 2016 Fund, Prop. 56
 2¢ = Breast Cancer
 10¢ = Cigarette Tax Fund
 25¢ = Cigarette Tax Products and Surtax, Prop. 99
 50¢ = First 5 California, Prop. 10



80% - County Commissions (0585)
 20% - State Commission
 6% Mass Media Communications (0631)
 5% Education (0634)
 3% Child Care (0636)
 3% Research and Development (0637)
 1% Administration (0638)
 2% Unallocated (0639)